



CITY HALL

333 Broadalbin Street SW
P.O. Box 490
Albany, OR 97321-0144
www.cityofalbany.net

541-917-7500

**CITY MANAGER/
ECONOMIC DEVELOPMENT/
URBAN RENEWAL**

541-917-7500
FA 541-917-7511

FINANCE

Finance/Recorder
541-917-7532
FAX 541-917-7748

Municipal Court

541-917-7740
FAX 541-917-7748

**COMMUNITY
DEVELOPMENT**

Planning
541-917-7550
FAX 541-917-7598

Building Division

541-917-7753
FAX 541-917-7598

FIRE ADMINISTRATION

541-917-7700
FAX 541-917-7716

HUMAN RESOURCES

541-917-7515
FAX 541-704-2324

INFORMATION TECHNOLOGY

223 Third Avenue SW
541-917-7599
FAX 541-791-0075

PUBLIC WORKS

Engineering
541-917-7676
FAX 541-917-7573

Water/Sewer Billing

541-917-7547
FAX 541-917-7794

Operations

310 Waverly Drive NE
Albany, OR 97321
541-917-7600
FAX 541-917-7615

Call-A-Ride

112 Tenth Avenue SW
Albany, OR 97321
541-917-7770
Fax 541-812-2571
TDD 541-917-7762

Transit

112 Tenth Avenue SW
Albany, OR 97321
541-917-7667
Fax 541-812-2571

RESTROOM/DRINKING FOUNTAIN REQUIREMENTS

2014 Oregon Structural Specialty Code (OSSC) and International Code Council (ICC)
A117.1-2009

Turning Space

1. Unless otherwise specified, clear floor spaces, clearances at fixtures, maneuvering clearances at doors, and turning spaces shall be permitted to overlap. **ICC 301.2**
2. A **60"** turning space or **"T"** shape shall be provided within the room per **ICC 304.3**. See attached Figure **304.3 (a) or (b)**. The door is permitted to swing into the clear floor space of the room but not into the clear floor space of a fixture unless there is a **30" x 48"** clear space provided within the room beyond the arc of the door swing. **ICC 603.2.2 Exception 2**

Mirrors

3. Mirrors located above the lavatory sink or counter shall be mounted with the bottom edge of the reflecting surface **40"** maximum above the floor. Mirrors not located above counters shall be mounted with the bottom edge of the reflecting surface **40"** maximum above the floor. In other than accessible dwelling units, mirrors are not required over the lavatories or counters **if** a mirror is located within the same toilet or bathing room and mounted with the bottom edge of the reflecting surface **35"** maximum above the floor. **ICC 603.3**

Coat Hooks and Shelves

4. Coat hooks shall be within one of the unobstructed forward or side reach ranges specified in **ICC 308.2.1**, basically from **15" to 48"** above the floor.
5. Shelves shall be **40" minimum and 48" maximum** above the floor. **ICC 603.4**

Water Closets

6. The water closet shall be located with a wall or partition to the rear and to one side. The centerline of the water closet shall be **16" minimum to 18" maximum** from the side wall. **ICC 604.4 and Figure 604.2**
7. A clearance around a water closet of **60" minimum** measured perpendicular from the sidewall, and **56" minimum** measured perpendicular from the rear wall shall be provided. Where using stalls, provide **56" for a wall hung closet and 59" for a floor mounted closet**. **ICC.604.3.1** See **Figures 604.3** and **604.9.2** for compartments.
8. Only the associated grab bars, paper dispensers, sanitary napkin receptacles, coat hooks, shelves, accessible routes, clear floor spaces for other fixtures and the turning spaces may be in the required **60" x 56"** area. No other fixtures or obstructions shall be within the required water closet clearance. **ICC.604.3.3**

9. Height of water closet seats shall be **17" minimum to 19" maximum** above the floor, measured to the top of the seat. **ICC 604.4** and **ICC Figure 604.4**

Grab Bars for Water Closet

10. Provide a **42" minimum** side wall grab bar located **12" maximum** from the rear wall and extending **54" minimum** from the rear wall. **ICC 604.5.1** and **Figure 604.5.1**
11. Provide an **18" vertical** grab bar mounted with the bottom of the bar located between **39" and 41"** above the floor and with the center line of the bar located between **39" and 41"** from the rear wall. **ICC 604.5.1** and **Figure 604.5.1**
12. Provide a 36" rear-grab bar extending from the centerline of the water closet **12" minimum** on the side closest to the wall, and **24" minimum** on the transfer side. **ICC 604.5.2** and **Figure 604.5.2**

Dispensers

13. Where the toilet paper dispenser is located above the grab bar, the outlet of the dispenser shall be located within an area **24" minimum and 36" maximum** from the rear wall. Where the dispenser is located below the grab bar, the outlet of the dispenser shall be located within an area **24" minimum and 42" maximum** from the rear wall. The outlet of the dispenser shall be located **18" minimum and 48" maximum** above the floor. Dispensers shall not be of a type that controls delivery, nor allows continuous paper flow. **ICC 604.7** and **Figure 604.7**

Lavatories

14. The front of lavatories and sinks shall be **34" maximum** above the floor, measured to the higher of the rim or counter surface. **ICC 606.3** and **Figure 606.3**
15. Water supply and drainpipes under lavatories and sinks shall be insulated or otherwise configured to protect against contact. There shall be no sharp or abrasive surfaces under lavatories or sinks. **ICC 606.6**

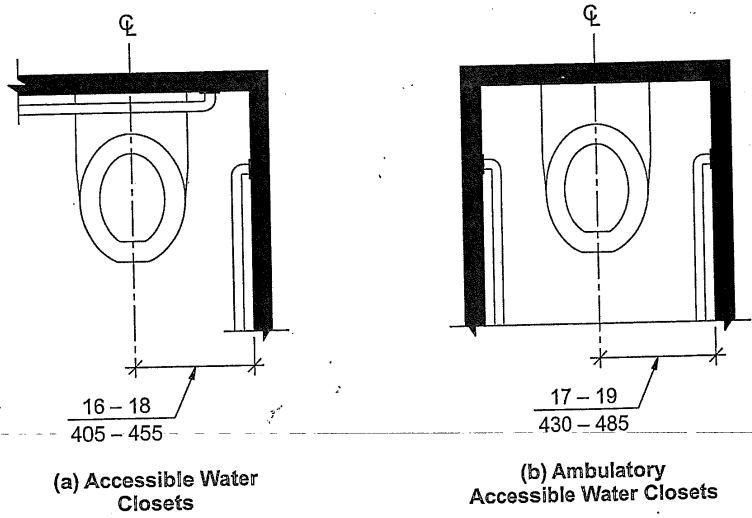
Exhaust for Restrooms

16. Mechanical exhaust is required for restrooms. When an intermittent fan is used, provide **70-cfm** exhaust for each toilet or urinal. Where continuous exhaust is provided, provide **50-cfm** exhaust per toilet or urinal. **2014 Oregon Mechanical Specialty Code (OMSC) Table 403.3**

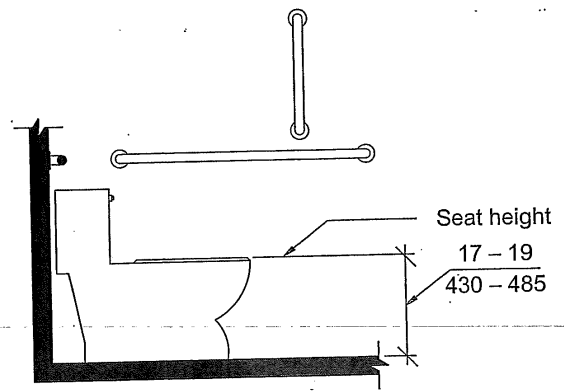
DRINKING FOUNTAINS

17. Where drinking fountains are required or provided, no fewer than two shall be provided: one fountain shall comply with the requirements for people who use a wheelchair and one fountain shall comply with the requirements for standing persons. Exception: a single fountain that complies with the requirements for both wheelchair and standing persons is permitted. **OSSC 1109.5.1** and **ICC Figures 602.3 and 602.5 (a) and (b).**

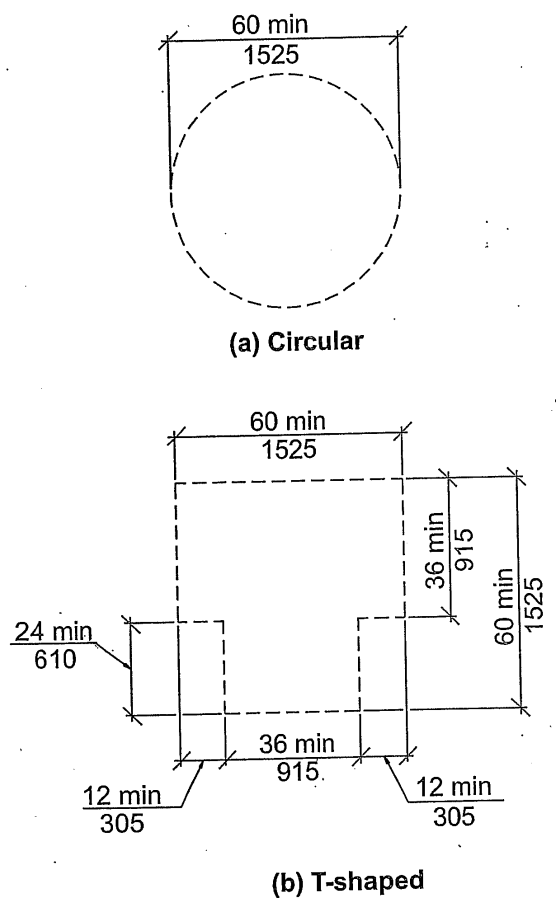
18. Spout outlets of fountains for persons in wheelchairs shall be **36" maximum** above the floor. Spout outlets of fountains for standing persons shall be **38" minimum to 43" maximum** above the floor. **ICC 602.4**
19. The spout outlet shall be located **15" minimum** from the vertical support and **5" maximum** from the front edge of the drinking fountain. **ICC 602.5**
20. The spout shall provide a flow of water **4" minimum** in height. **ICC 602.6**
21. The installation of a drinking fountain is not allowed to create a protruding object in a means of egress. The horizontal projection of the fountain may **not project** more than **4"** horizontally over any walking surface between the heights of **27" to 80"** above the floor. This may require relocation of the fountain, or protection in the walkway by bollards, half-walls, or installation of the fountain in an alcove, etc. **OSSC 1003.3**



**FIG. 604.2
 WATER CLOSET LOCATION**

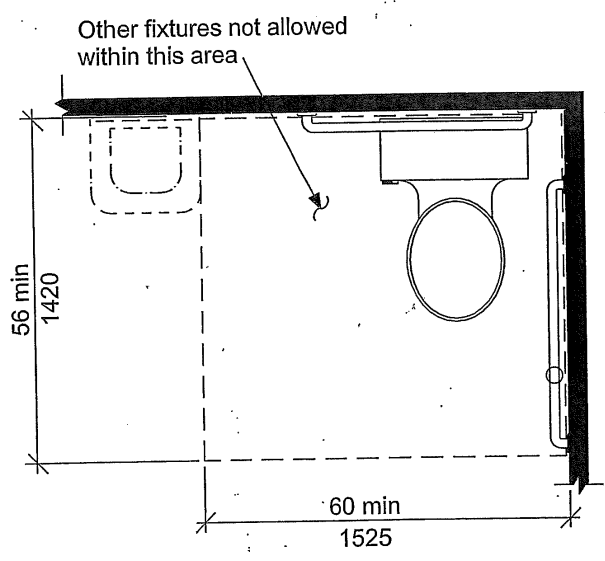


Note: For children's dimensions see Fig. 604.11.4
**FIG. 604.4
 WATER CLOSET SEAT HEIGHT**



**FIG. 304.3
 SIZE OF TURNING SPACE**

604.3 Clearance.



**FIG. 604.3
 SIZE OF CLEARANCE FOR WATER CLOSET**

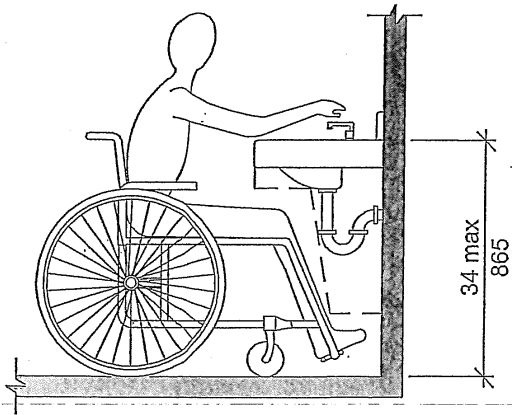
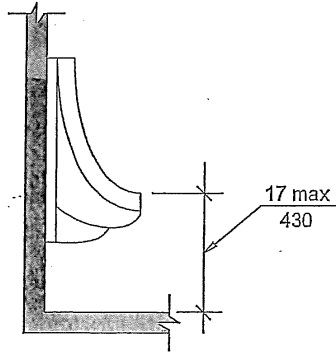
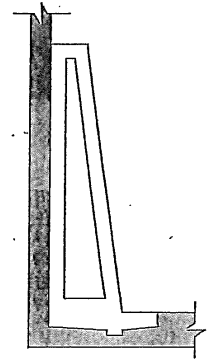


Fig. 606.3
Height of Lavatories and Sinks

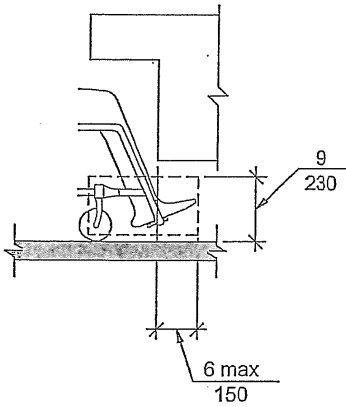


(a)
Wall Hung Type

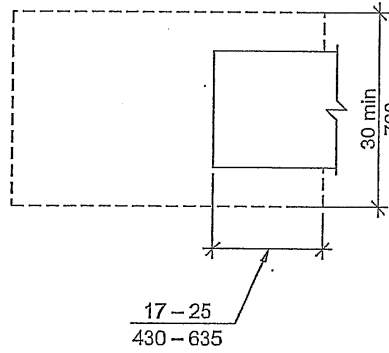


(b)
Stall Type

Fig. 605.2
Height of Urinals

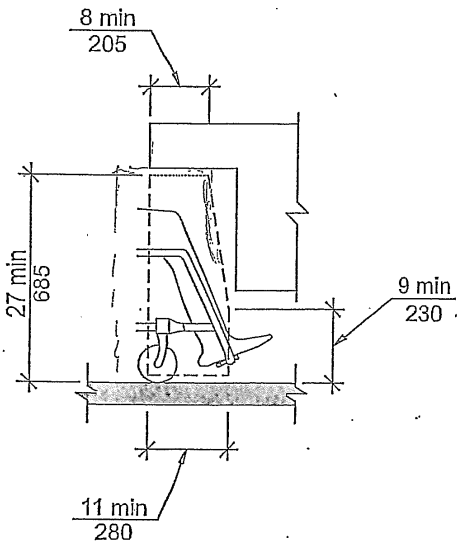


(a)
Elevation

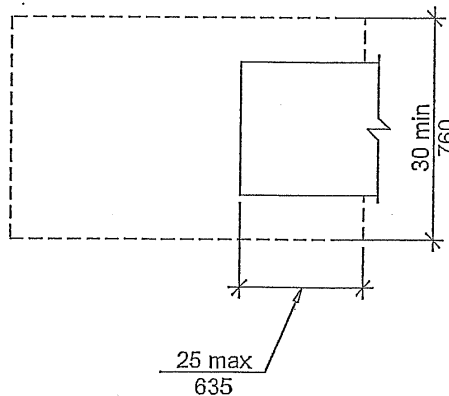


(b)
Plan

Fig. 306.2
Toe Clearance



(a)
Elevation



(b)
Plan

Fig. 306.3
Knee Clearance

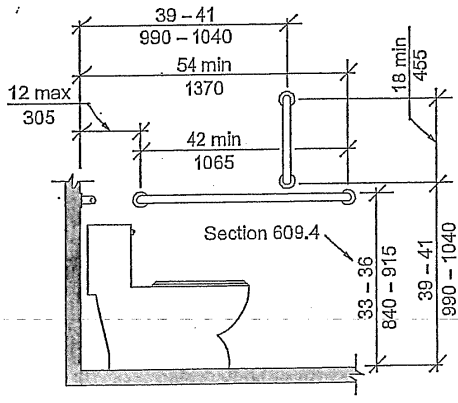


Fig. 604.5.1
 Side Wall Grab Bar for Water Closet

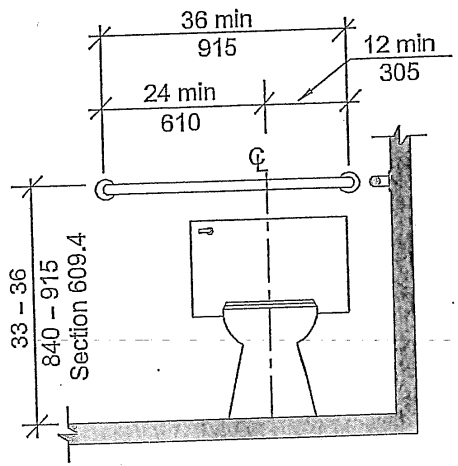
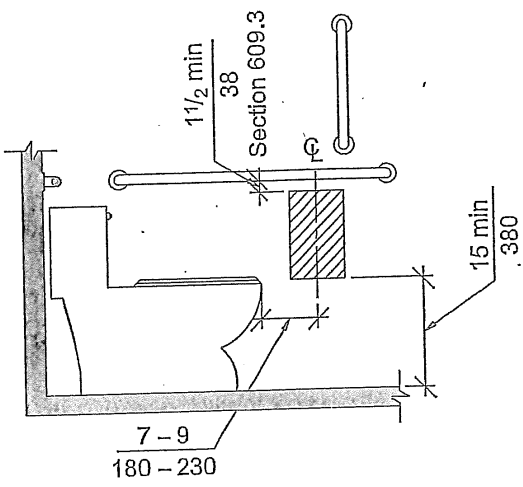
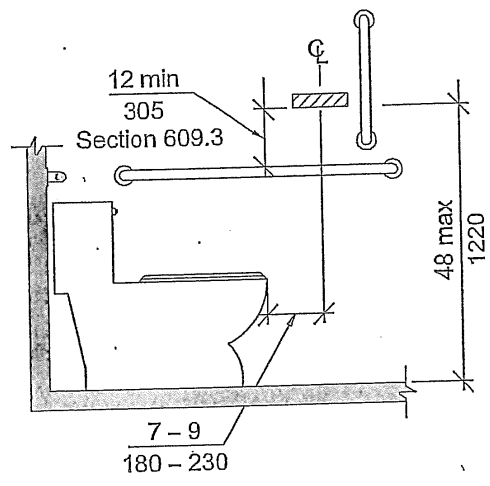


Fig. 604.5.2
 Rear Wall Grab Bar for Water Closet

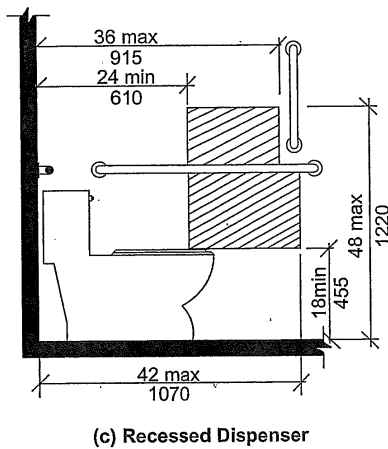
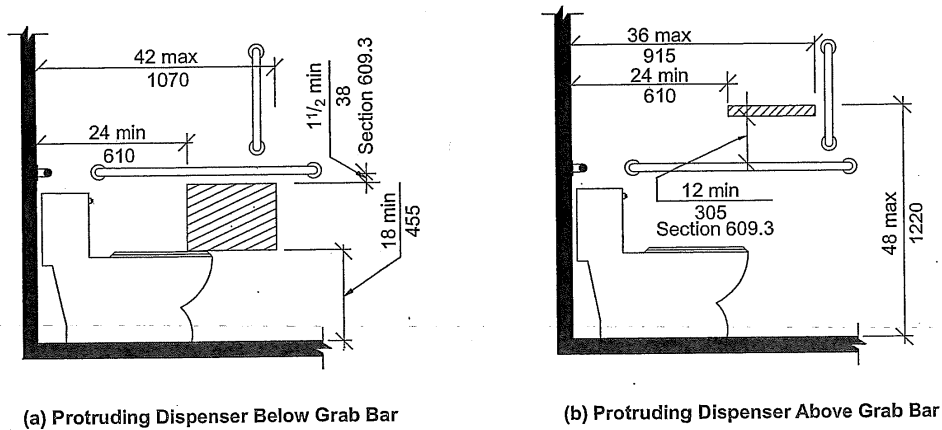


(a) Below Grab Bar



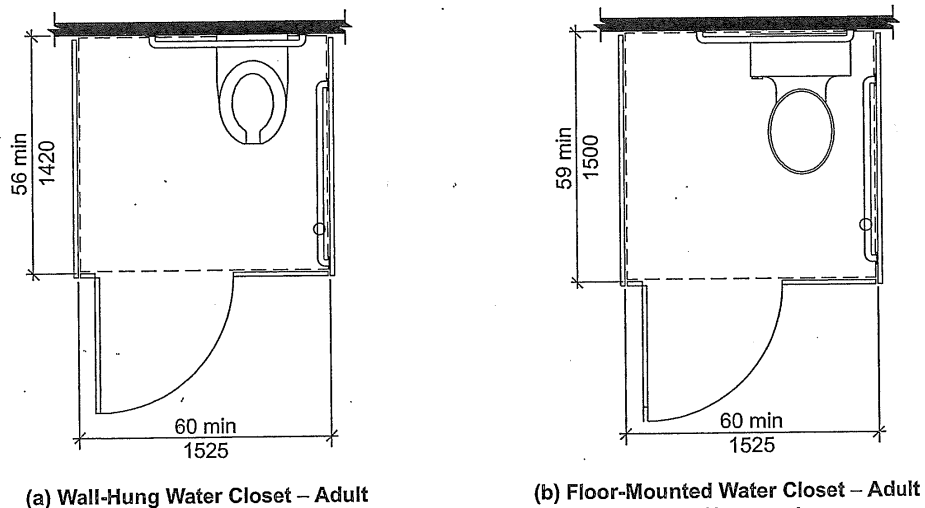
(b) Above Grab Bar

Fig. 604.7
 Dispenser Location

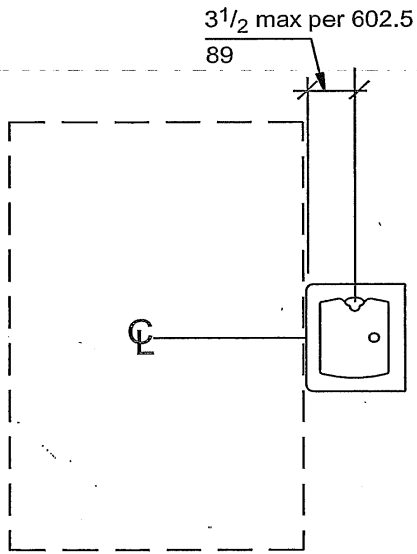


Note: For children's dimensions see Fig. 604.11.7 dispenser outlet location

**FIG. 604.7
DISPENSER OUTLET LOCATION**

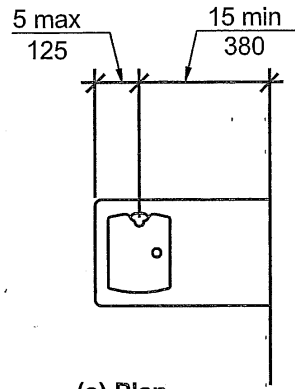


**FIG. 604.9.2
WHEELCHAIR ACCESSIBLE TOILET COMPARTMENTS**

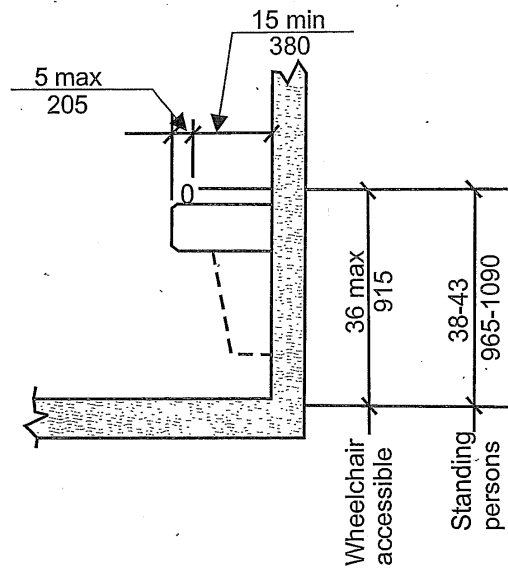


602.2
 PARALLEL APPROACH AT DRINKING FOUNTAINS
 PRIMARILY FOR CHILDREN'S USE—(EXCEPTION 2)

602.3 Operable Parts. Operable parts shall comply with Section 309.



(a) Plan



(b) Elevation

FIG. 602.5
 DRINKING FOUNTAIN SPOUT LOCATION